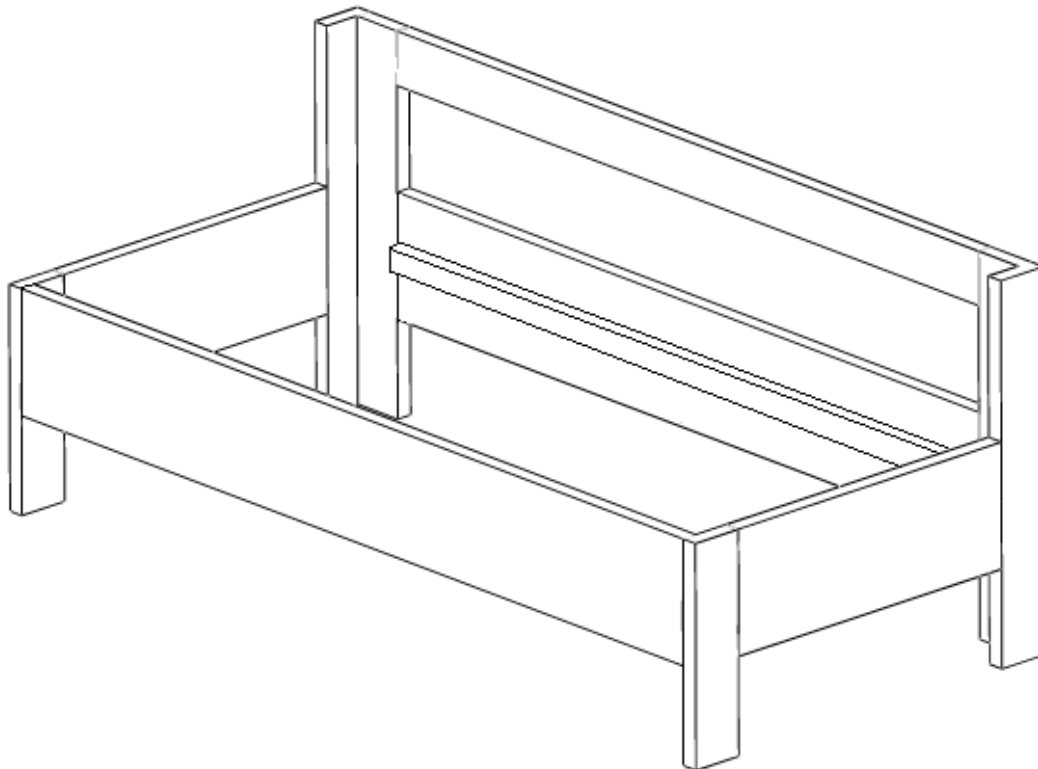


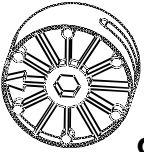





W38

Montážny návod

# Jednolôžko Helenka

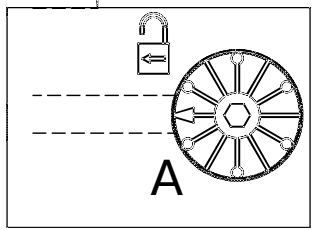
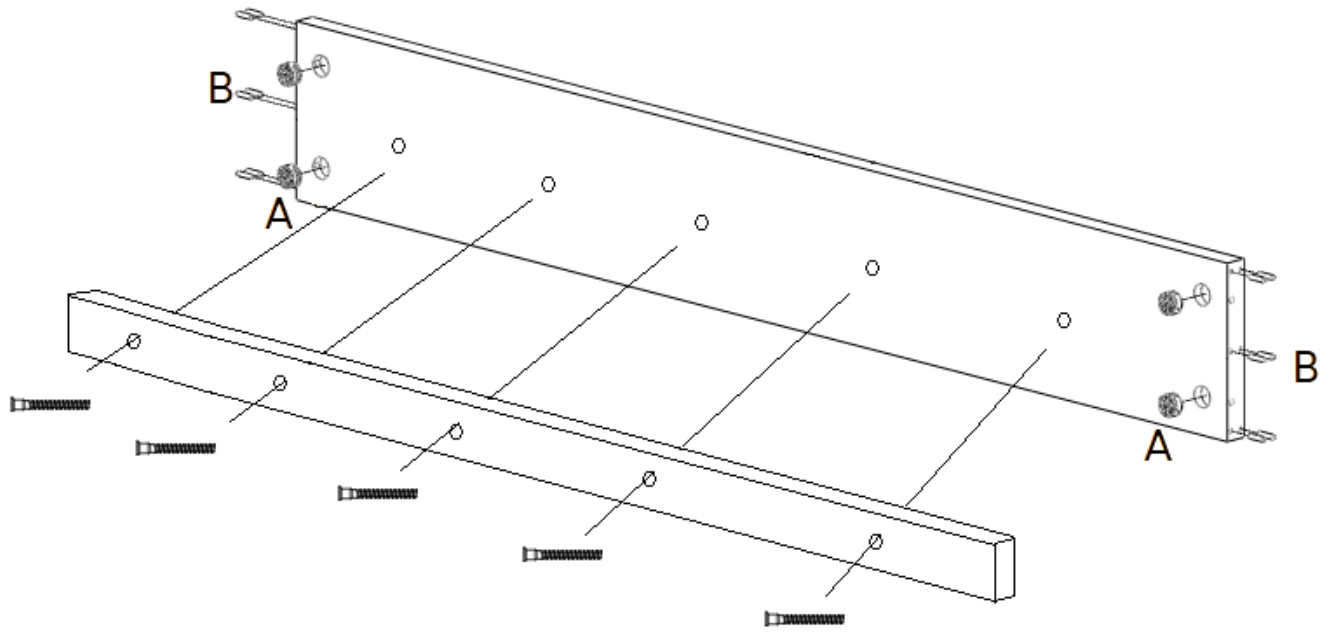
Rev. 21.10.2024



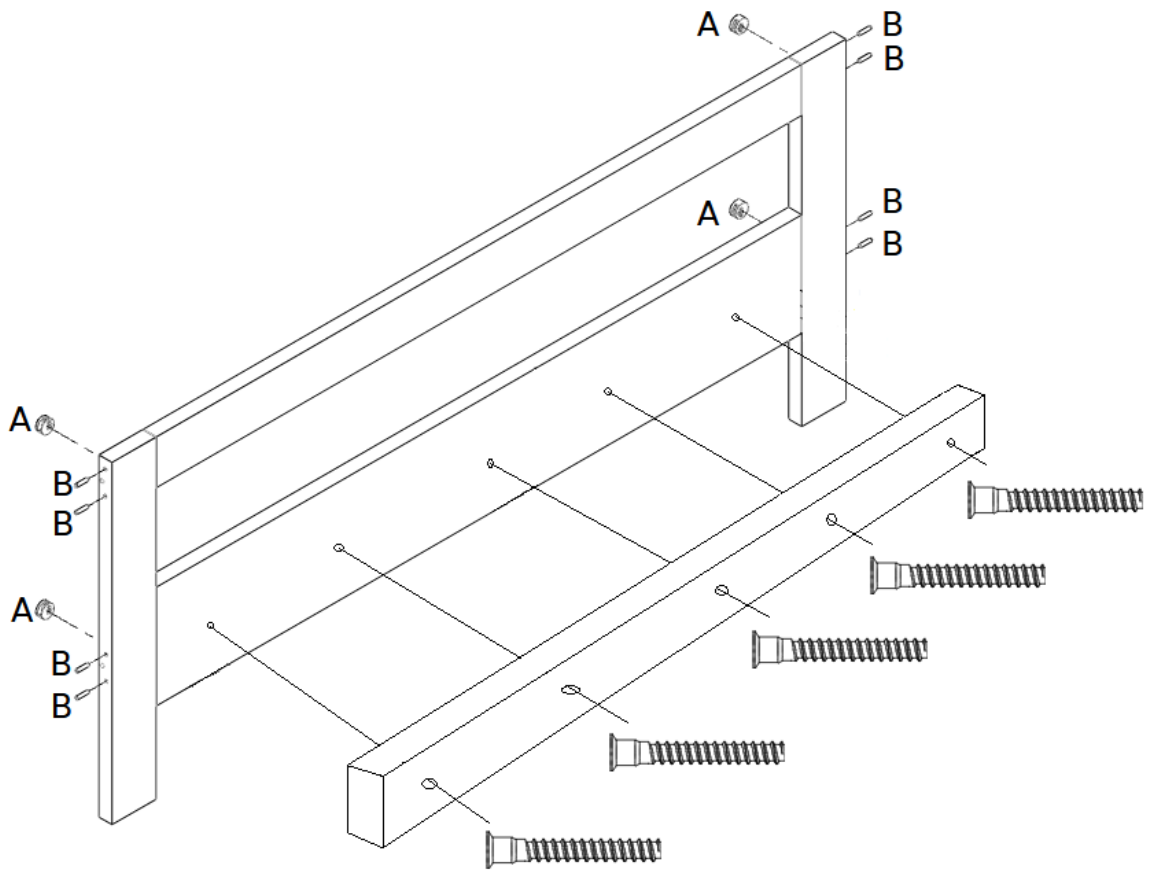
<b>A</b>  8 ks	<b>F</b>  8 ks	<b>G</b>  8 ks	<b>B</b>  20 ks	<b>C</b>  Konfirmát 7x60 <b>10ks</b>  6 8
---------------------------------------------------------------------------------------------------------	---------------------------------------------------------------------------------------------------------	---------------------------------------------------------------------------------------------------------	----------------------------------------------------------------------------------------------------------	---------------------------------------------------------------------------------------------------------------------------------------------------------------------------------------------------------------------------------

Tento montážny návod platí aj pre posteľ Helenka s pravou alebo ľavou bočnicou

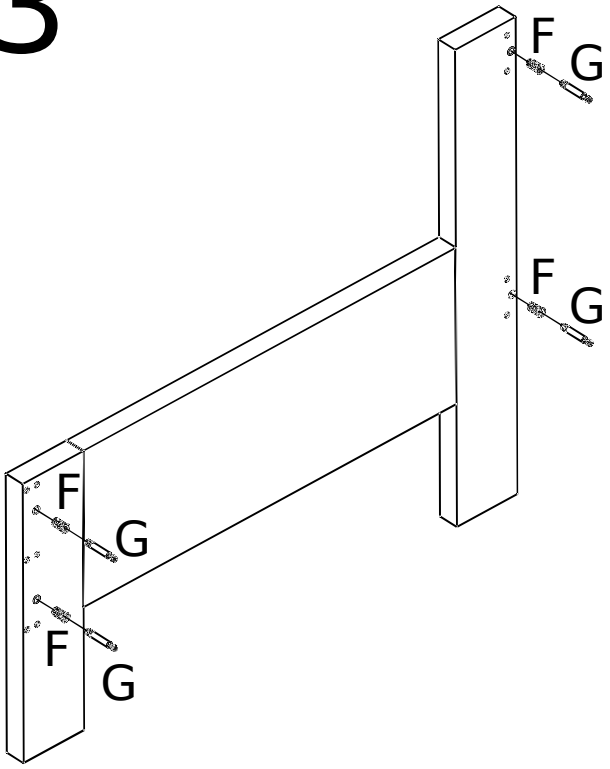
# 1



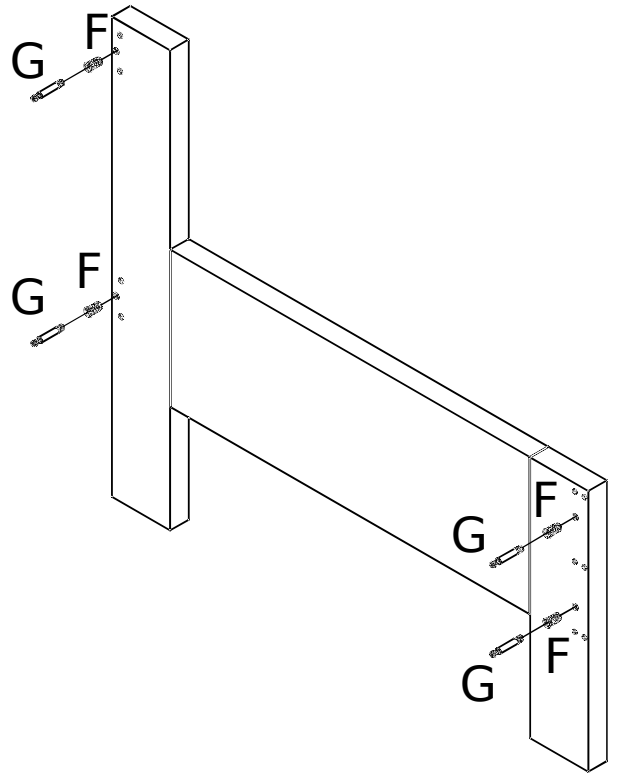
# 2



# 3



# 4



# 5

